



arco-matic®
Examination and treatment chairs
for gynecology and urology.



A Sense of Company

With more than 90 years of experience, SCHMITZ is one of the leading international manufacturers of medical products.

A family-owned business with a living tradition. Our typical employee has been with the company for some 18 years, proof of how strongly they identify with our values and philosophy.

In 2012, the company's management passed to Friedrich and Matthias Schmitz, the fourth generation of the family.

We are proud to be located in Germany and are deeply rooted in our home region. We develop and manufacture here.

90% of our suppliers are from Germany, of which 60% are from the local region.

Made in Germany



'The transition to the next generation is always something special.'



A Sense of Care

We understand the services which are our lifeblood, and aim to achieve maximum customer satisfaction. From consulting through planning to installation.

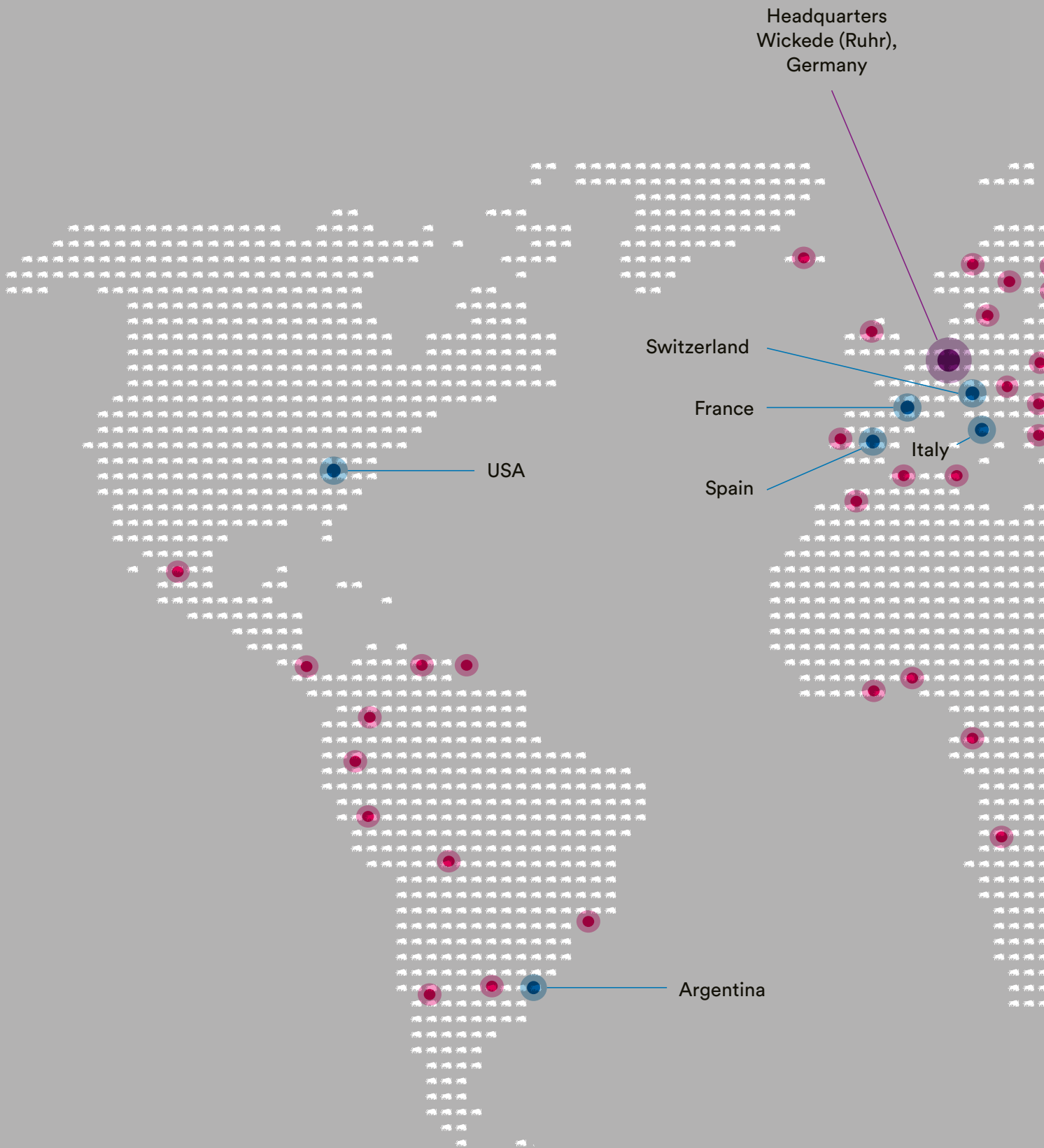
Cost-effectiveness through longevity is what you can expect from us.

With a well thought-out service concept and comprehensive support, SCHMITZ works alongside you as partner from start to finish.

Technical Customer Service

T 770-349-6308

service@schmitzusa.com



- Over 80 international trade partners
- Sales offices

SCHMITZ – represented worldwide





Design: Rainer Schindhelm

arco-matic®

The definition of exceptional design and state-of-the-art technology at excellent value for money.

Ergonomic

A width of upholstery of up to 2'2 ⁴/₅" (680 mm) at the back section and an individually adjustable head cushion offer patients pleasant and comfortable seating. With an access height of only 1'9 ⁷/₁₀" (550 mm), even older or physically challenged patients can easily take a seat on the chair, and even at its lowest level, the seat position remains horizontal.

Strong

Designed for a working load of 550 lb (250 kg), the chair offers great safety and many treatment options even for adipose patients.

Time-saving

Optimized adjustment speed and four freely selectable memory positions allow quick adjustment to the relevant position.

Functional

The backrest can be moved to a horizontal position; this means that patients can be positioned flat, e.g. for an ultrasound examination, or in a shock position in case of an emergency. The deep seat section cut-out of 6 ¹/₁₀" (155 mm) offers improved access to the examination area. Even if the patient is in a position of pelvic elevation, the rinsing basin stays horizontal.



Central lock

arco-matic®**Optimized use, high level of comfort,
first-class design****Horizontal position**

The backrest can be moved to a horizontal position; this means that patients can be positioned flat, e.g. for an ultrasound examination, or in a shock position in case of an emergency.

Mobility

Level, enclosed areas and the absence of corners and edges make for improved hygienic conditions and easy cleaning. Even the area under the arco-matic® can be cleaned thanks to its mobility (optional), which also enables flexible use of the treatment area and room layout.

Awards

A benchmark for quality and design:
the arco-matic® has won the prestigious reddot Design Award.



arco-matic® **Model overview**

Model No.	Description
-----------	-------------



114.9601.0	<p>arco-matic® 200 M Examination and treatment chair with memory function for four positions, pelvic elevation and back section adjustable by electromotor, seat height adjustable from 1'9 ⁷/₁₀" to 3'3 ²/₅" (550 to 1,000 mm) by pelvic elevation. Adjustment and memory functions activated by hand and foot control.</p>
-------------------	---

114.9701.0	<p>arco-matic® 300 M Examination and treatment chair with memory function for four positions, pelvic elevation, back section and foot supports (accessory) adjustable by electromotor, seat height adjustable from 1'9 ⁷/₁₀" to 3'3 ²/₅" (550 to 1,000 mm) by pelvic elevation. Adjustment and memory functions activated by hand and foot control.</p>
-------------------	--

**All basic models are without leg positioning system,
 please choose from 3 options! (page 18 - 19)**



Chrome nickel steel rinsing basin, in plastic frame,
fixed in position with swinging mechanism.



Hand and foot control

- Flexible positioning of the detachable foot control for a stress-free and comfortable working environment
- Saves and retrieves up to 4 memory positions
- Soft start-up of the chair movements
- Control of all motion sequences through foot and hand controls



arco-matic® Standard equipment

Ergonomic upholstery on seat, back rest and head rest, SST rinsing basin, in plastic frame, fixed in position with swinging mechanism, detachable, 1' ⁴/₅" x 6 ⁹/₁₀" x 2 ³/₅" (325 x 175 x 65 mm) (W x D x H), 2.5 liters volume. Magazine for holding paper roll of 1'3 ⁷/₁₀" (400 mm) or 1'7 ⁷/₁₀" (500 mm) width, max. diam. 5 ¹/₂" (140 mm), possibility to cover either the back and seat section or only the seat section with paper. With foot control, base plate with 4 leveling screws, silver gray plastic cladding. Upholstery according to color chart. Foot support mounts for quick removal or individual swiveling on a horizontal level of foot supports or Göpel-type leg supports with integrated handles (not available for chairs equipped with side rails 101.0508.0).

Electrical connection:

Power cord: 9'10" (3 m) with mains plug.
Connection: 100 - 240 V, 50/60 Hz, max. 0,94 kW.

Weight:

Net weight: approx. 211.6 lb (96 kg) (114.9601.0)
Net weight: approx. 220.5 lb (100 kg) (114.9701.0)
Safe working load: 550 lb (250 kg)

Powder coated finish:

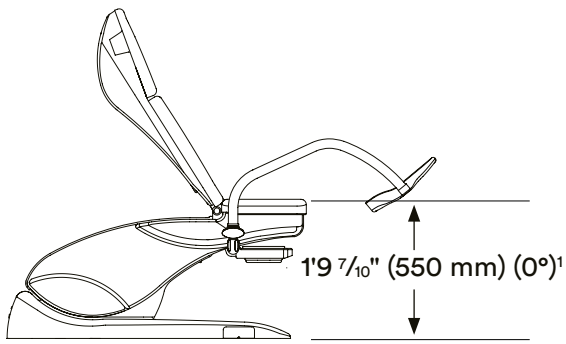
High quality powder coating in RAL 9006 white aluminum. Gloss finish, extremely knock and scratch resistant. Easy to clean, resistant to disinfectants and environmental conditions.

Upholstery:

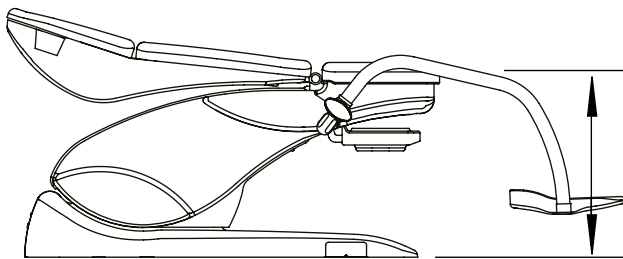
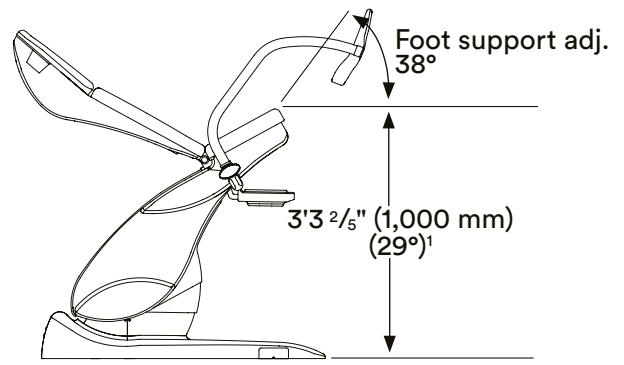
Foam material on support plate, with first-class, hard-wearing leatherette coverings. Colors available as per SCHMITZ color chart

When ordering:

Please state the following when ordering:
Foot/leg support system: see page 18 - 19
Upholstery color: see color chart page 26

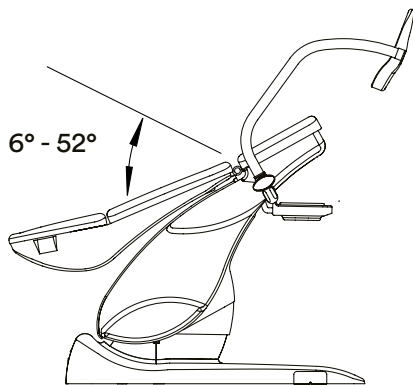


Maximum back section tilt 52°

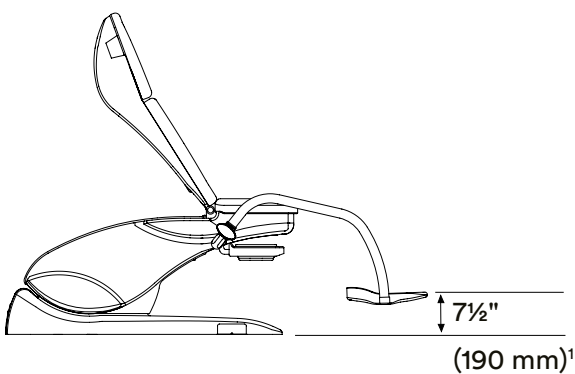


Seat section 0°, back section 6°
height 1'9 7/10" (550 mm)¹
Seat section 6°, back section 0°
height 2'1 1/5" (640 mm)¹

Reverse Trendelenburg 6°



Trendelenburg 29°



arco-matic®

Adjustment functions and dimensions

Dimensions

Base plate	3'8 ⁷ / ₁₀ " x 1'11 ⁴ / ₅ " (1,135 x 605 mm)
Width of upholstery	1'11 ² / ₅ " (595 mm) (seat section) to 2'2 ⁴ / ₅ " (680 mm) (back section)
Thickness	2" (50 mm)
Safe working load	550 lb (250 kg)



reddot award 2017
winner



Pelvic elevation
114.9601.0 and 114.9701.0



Back section adjustment
114.9601.0 and 114.9701.0



Electromotive adjustment of
foot supports 114.9701.0



101.0505.0



101.0506.0

arco-matic®

Leg support systems

Model No.	Description
	101.0505.0 Foot supports (pair) with integrated handles, powder coated RAL 9006 white aluminum, can be swiveled to the side, lockable. Plastic covers of transparent material as protection for the foot supports.
	101.0506.0 Leg supports, Göpel type, with integrated handle (pair) with integrated handles, powder coated RAL 9006 white aluminum. Leg supports with integral foam upholstery in silver gray, including fastening strap, rod of stainless steel 18/10.
	101.0507.0 Göpel leg support (piece) integral foam upholstery in silver gray, including fastening strap, rod of stainless steel 18/10, without attachment clamp (requires side rails 101.0508.0 or 101.0509.0 and 101.0293.0 attachment clamps).
	101.0508.0 Side rails (pair) for the seat section, stainless steel 18/10, 1 1/8" x 3/8" (28.575 x 9.525 mm), 11 2/5" (290 mm) long.
	101.0293.0 Attachment clamp (piece) revolving, stainless steel 18/10, for installation on side rails.



1. Select the model



arco-matic® 200 M

- Side rail x 2

arco-matic® 300 M

- Side rail x 2
- Leg plate
- Rinsing basin with convenient holder



arco-matic® 300 M

- Side rail x 2
- Leg plate
- Rinsing basin with convenient holder
- LED Ambient illumination
- Mobility
- 2 Power sockets

arco-matic®

Memory functions for four positions

200 M: pelvic elevation and back section adjustable by electromotor

300 M: pelvic elevation, back section and leg support system adjustable by electromotor

Hand and foot control

Weight capacity 550 lb

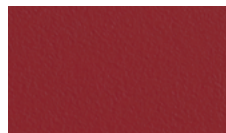
2. Select the color



gold yellow



raspberry



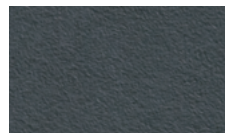
red carmine



caribbean blue



lime



titan gray

3. Select the leg support system

Foot supports (pair)
101.0505.0



Leg supports, Göpel type,
with integrated handle
(pair) 101.0506.0



Contact

SCHMITZ USA LP
T +1 770-349-6308
info@schmitzusa.com
www.schmitz-soehne.com